



# ASSEMBLY INSTRUCTIONS

---

Regency Rocking Chair

Item #: 900R



# BEFORE ASSEMBLY

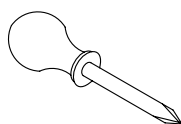
Be sure to check all packing material carefully for small parts which may have come loose inside the carton during shipment. Please separate, identify, and count all parts and metal hardware. Compare with part list to be sure all parts are present.

If a part or hardware is missing or you have difficulties in assembling this product, please contact us Toll Free at 1-800-228-3876

## IMPORTANT NOTE:

- Place all wooden parts on a clean and smooth surface to avoid the parts from being scratched.
- Remove all wrapping material.
- DO NOT tighten all screws and bolts until completely assembled.
- Keep all hardware parts out of reach of children.

### ASSEMBLY TOOLS REQUIRED

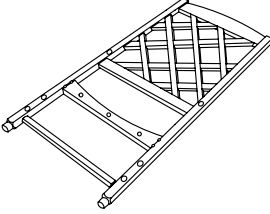
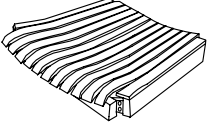
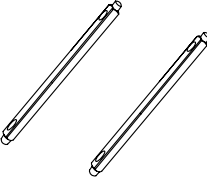
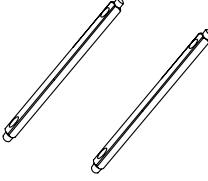
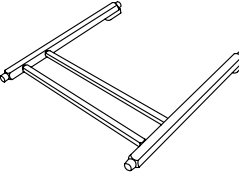
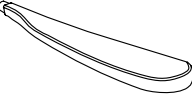
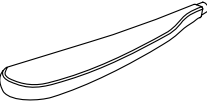
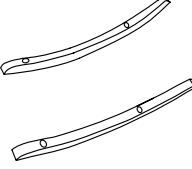



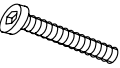

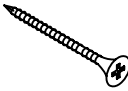

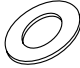

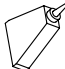
Philip Head  
Screw Driver

NOT INCLUDED

# PART LIST

When unpacking, please be careful not to discard any parts with the packaging. Before continuing, please make sure you have the following parts:

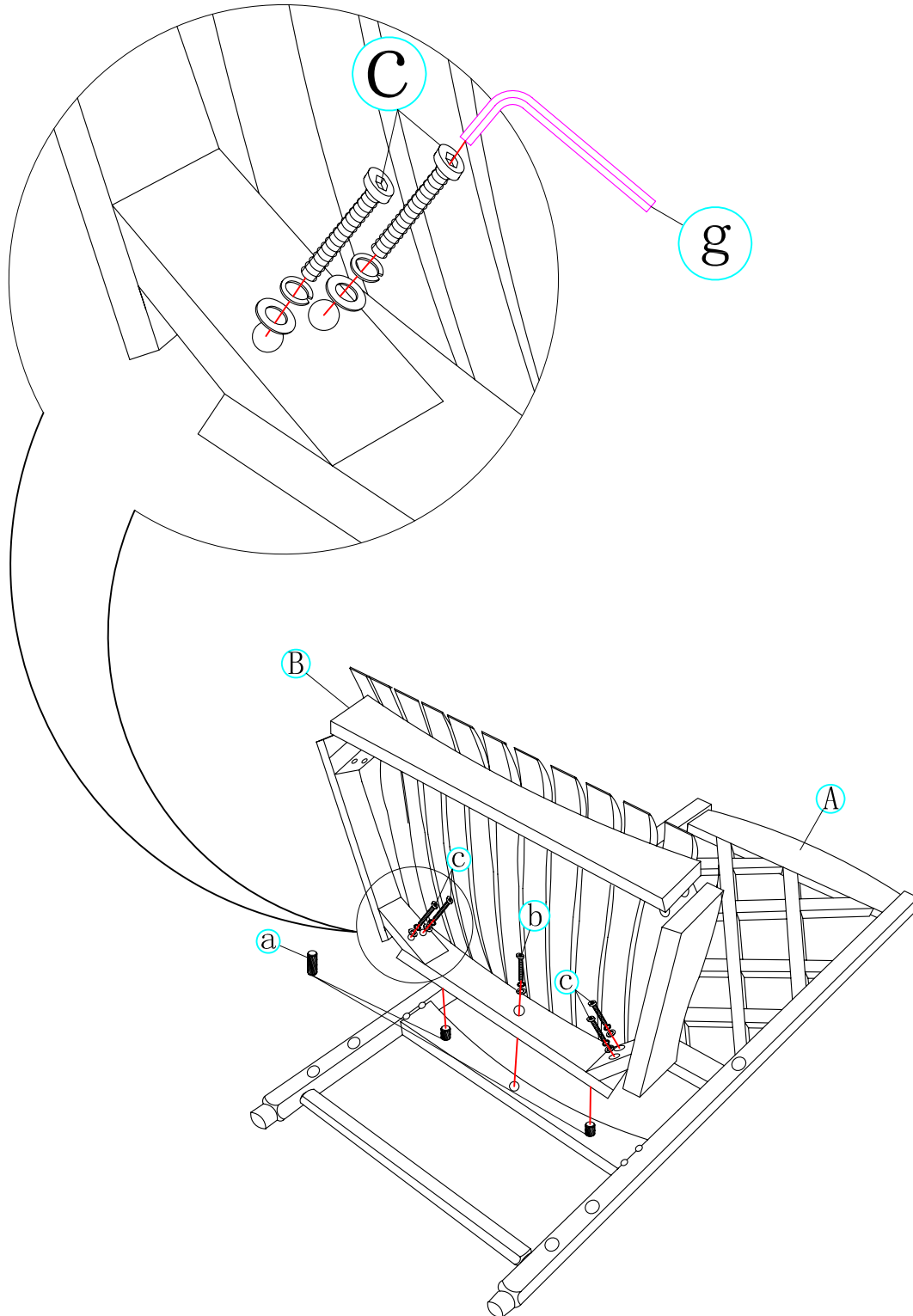
NO	DESCRIPTION	QTY	SKETCH	NO	DESCRIPTION	QTY	SKETCH
A	Back	1		B	Seat	1	
C	Long Stretchers	2		D	Short Stretchers	2	
E	Front Leg Frame	1		F	Left Arm	1	
G	Right Arm	1		H	Runners	2	

NO	DESCRIPTION	QTY	SKETCH	NO	DESCRIPTION	QTY	SKETCH
a	Dowels Ø10*25mm	2		b	Short Bolt Ø5/16*1-3/8"	1	
c	Long Bolts Ø5/16*2-7/8"	8		d	Screws 38mm	16	
e	Lock Washers	9		f	Flat Washers	9	
g	Allen Head Wrench	1		h	Glue	1	

# Step 1

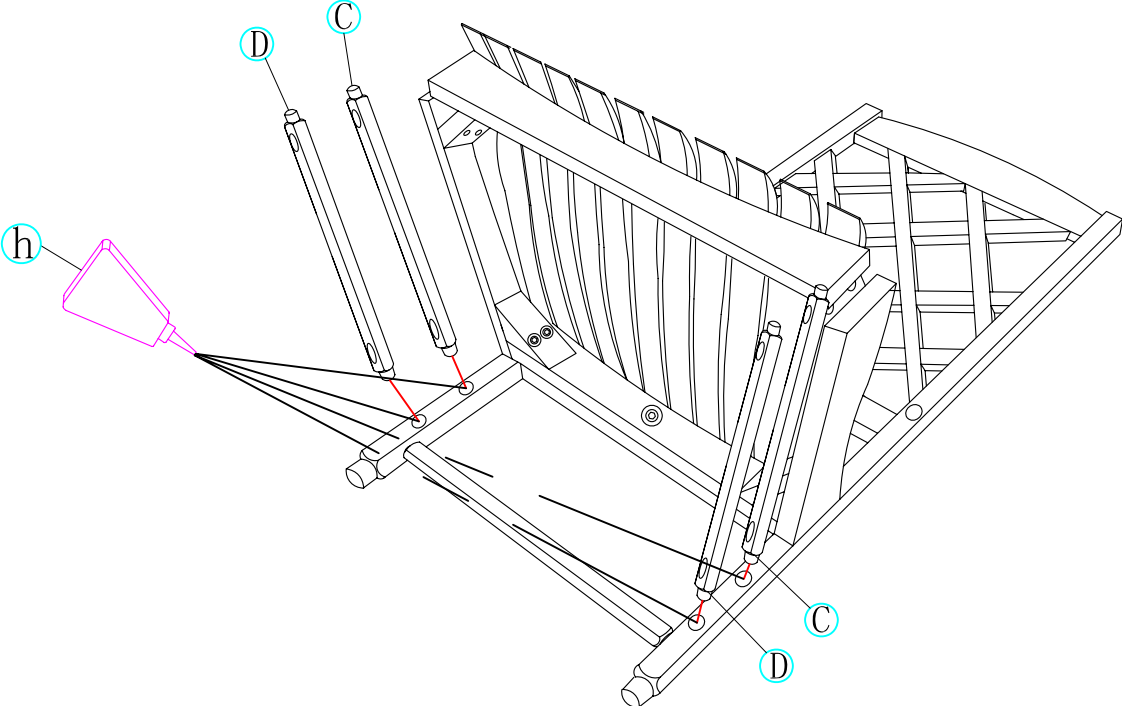
Insert dowels (a) in two dowel side holes in the back (A) as shown below.

Attach seat (B) to back (A) with bolts (b) and (c), lock washers (e) and flat washers (f) as shown below. Tighten with Allen head wrench (g).



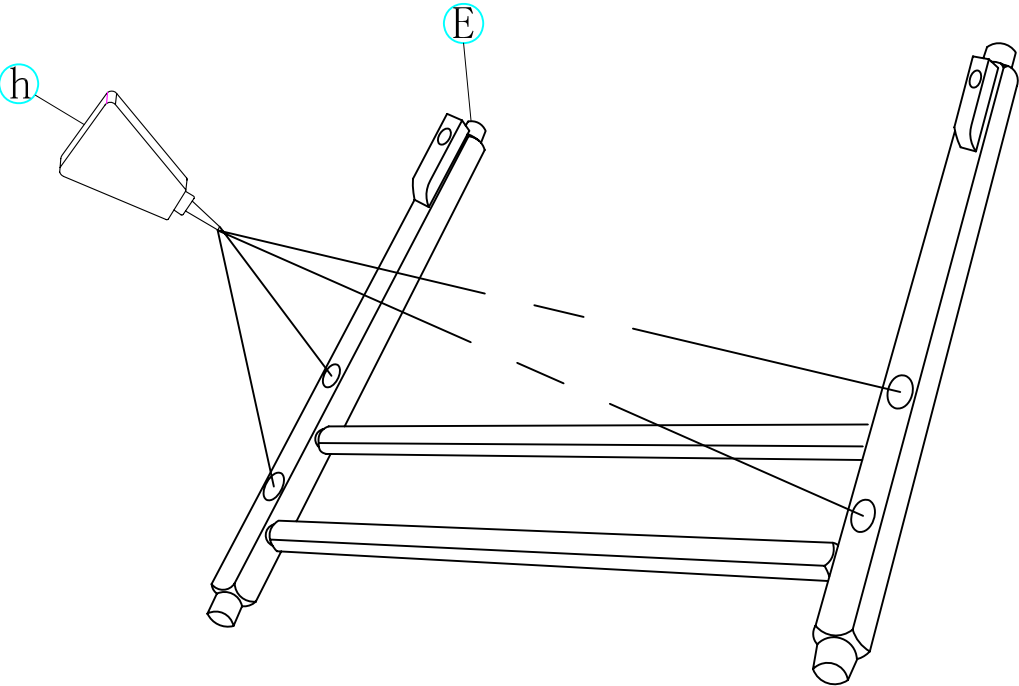
# Step 2

Attach stretchers (C) and (D) to the back legs using a few drops of glue.



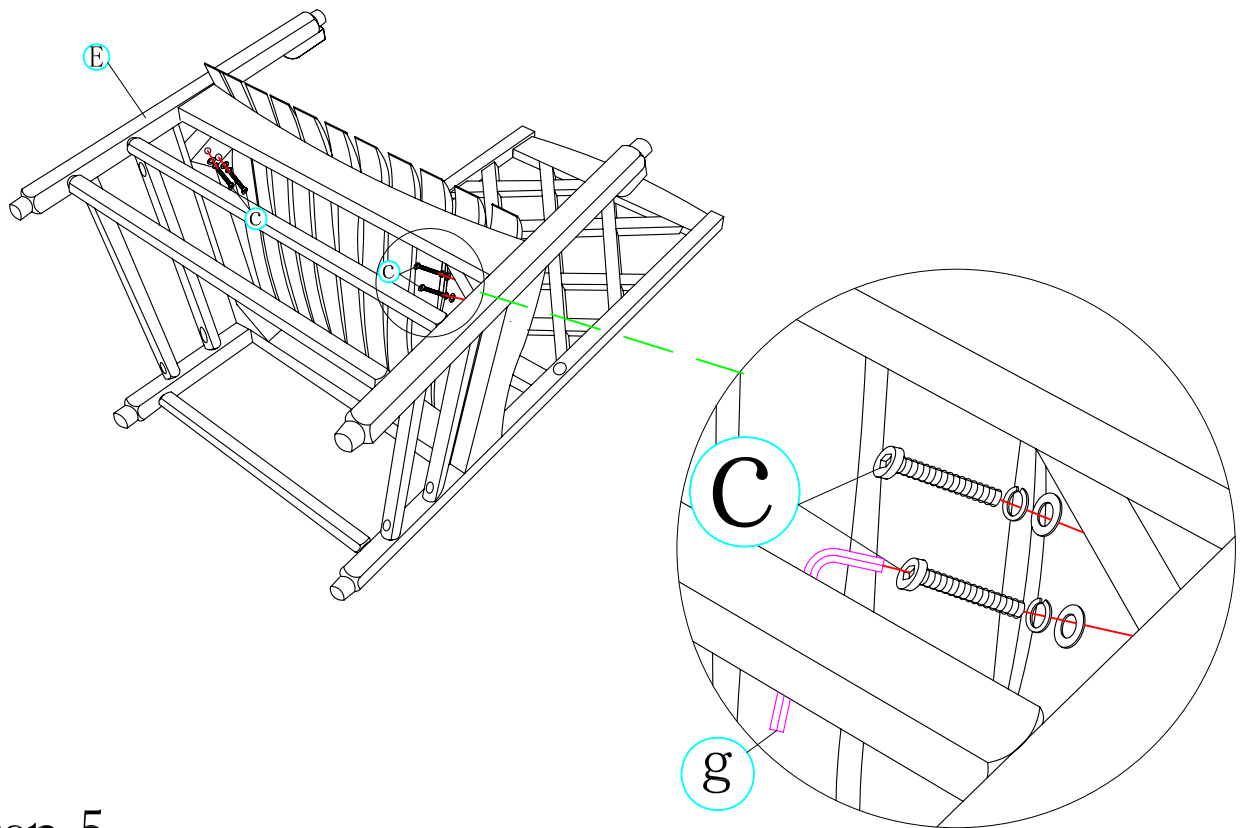
# Step 3

Pour a few drops of glue into the holes in the front leg frame (E).



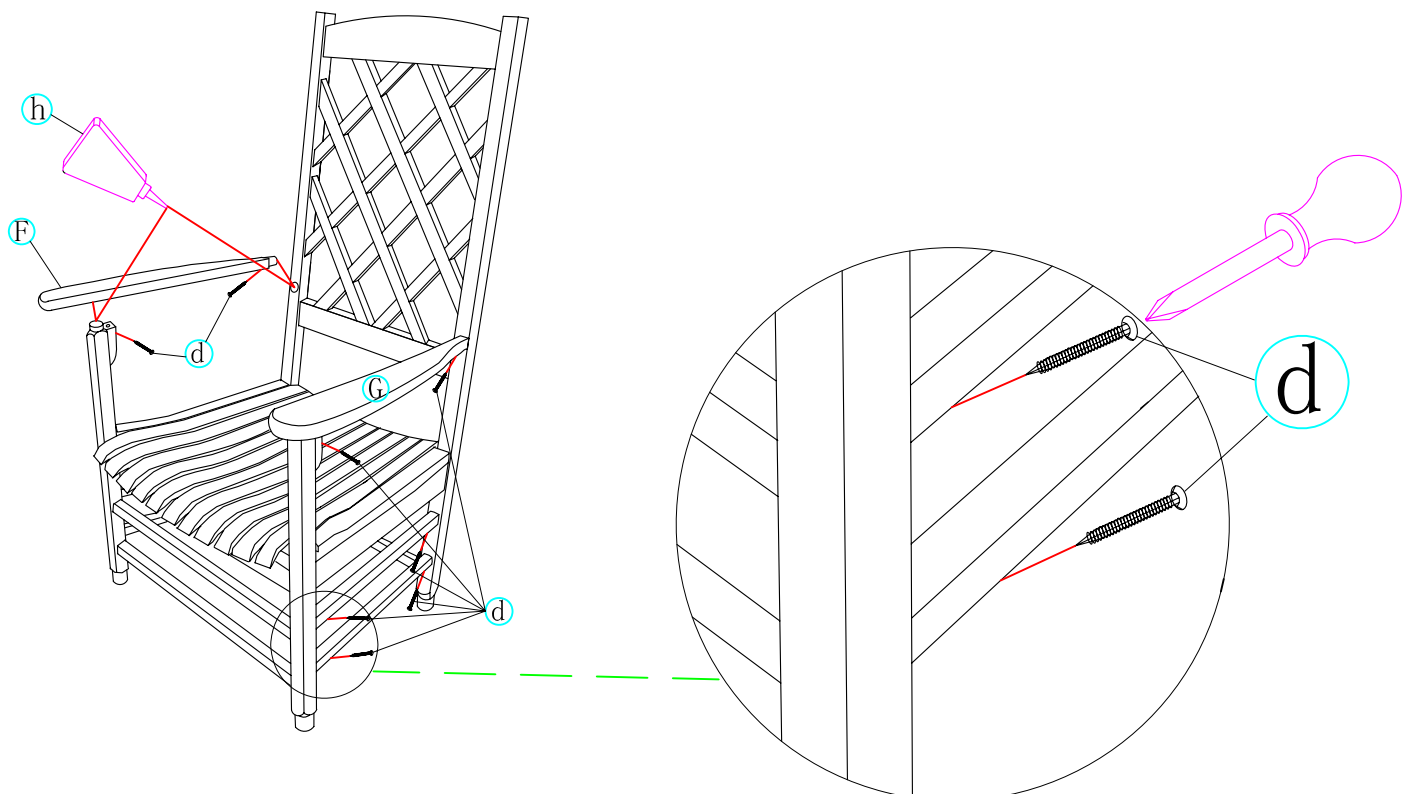
## Step 4

Attach front leg frame (E) to seat (A) with long bolt (c), lock washer (e) and flat washer (f). Tighten with Allen head wrench (g).



## Step 5

Attach arms (F) and (G) to front and back legs using a few drops of glue (h) and screws (d).



# Step 6

Attach runner (H) to bottom of front and back legs using a few drops of glue (h) and screws (d) as show below.

Note: Tighten all screws and bolts with the screwdriver and Allen head wrench (g).

